

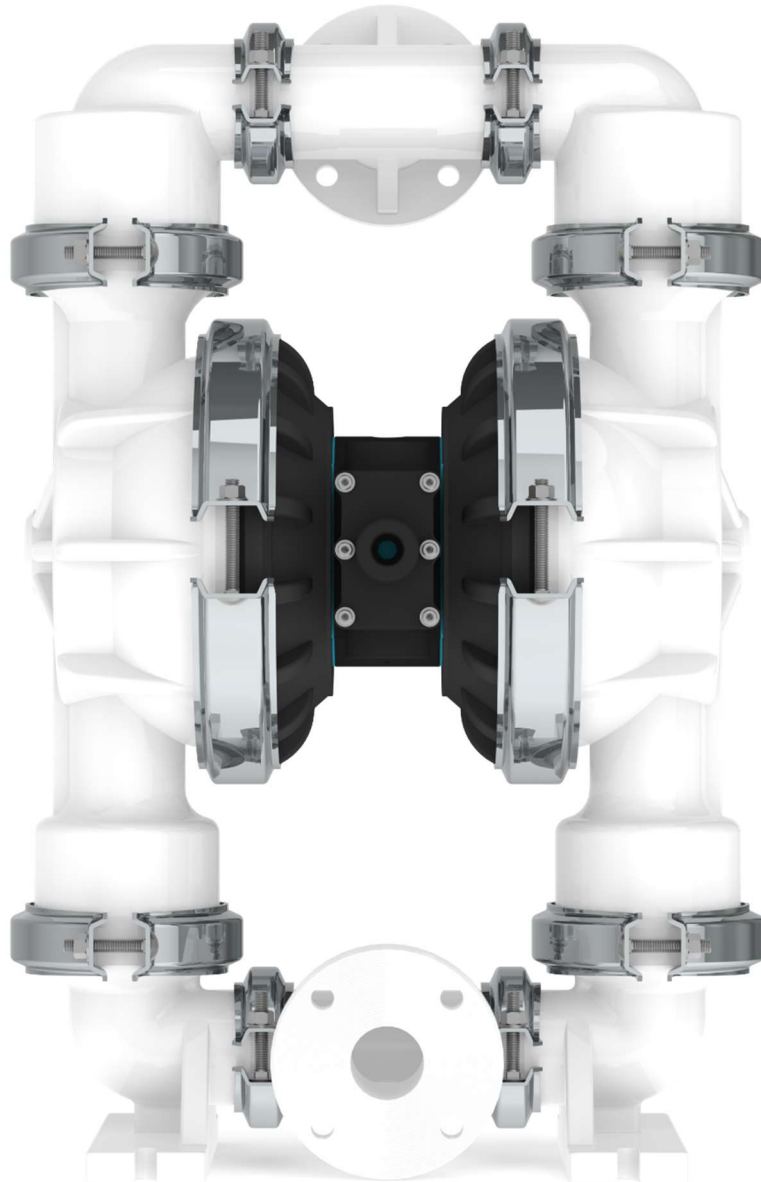


**AIR OPERATED
DOUBLE
DIAPHRAGM
PUMPS**



ISO 9001: 2008
ISO 14001: 2004

pricepumps.co.in



**2" POLYPROPYLENE PUMP
AOD 50 NSV FF PPGG/HYT/TF/P/N**

pricepumps.co.in



AIR OPERATED DOUBLE DIAPHRAGM PUMPS



ISO 9001: 2008
ISO 14001: 2004

pricepumps.co.in

SECTION 1- LEGEND

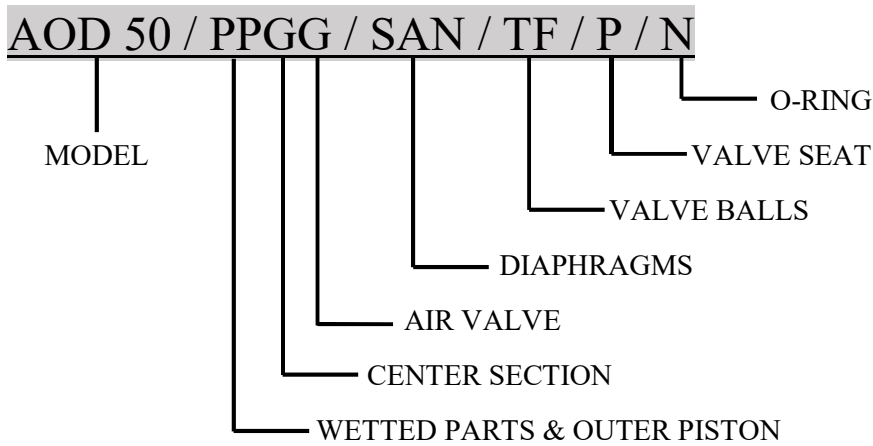
2" POLYPROPYLENE PUMP

AOD 50/PPGG/HYT/TF/P/N

MODEL: AOD 50 NSV FF POLYPROPYLENE

51 mm (2") Pump

Maximum Flow Rate: 620 Lpm (164 gpm)



MATERIAL CODES

MODEL
AOD 50 = 2" PUMP

AIR VALVE
G = GLASS FILLED
POLYPROPYLENE

VALVE BALL
TF = TEFLON

WETTED PARTS & OUTER PISTON
PP = POLYPROPYLENE/
POLYPROPYLENE

DIAPHRAGMS
SAN = SANTOPRENE

VALVE SEAT
P = POLYPROPYLENE

CENTER SECTION
G = GLASS FILLED
POLYPROPYLENE

VALVE SEAT O-RING
N = NEOPRENE



AIR OPERATED DOUBLE DIAPHRAGM PUMPS



ISO 9001: 2008
ISO 14001: 2004

pricepumps.co.in

SECTION 2 – SPARE PART LIST

2” POLYPROPYLENE PUMP

AOD 50/PPGG/HYT/TF/P/N

SR No.	DISCRIPTION	PART No	QTY
1	LIQUID CHAMBER	50-1003-20	2
2	SUCTION BEND	50-2141-20	2
3	DISCHARGE BEND	50-2151-20	2
4	SUCTION DISCHARGE TEE	50-1201-20	2
5	TEE O RING	50-3146-51	4
6	SEAT O RING	50-3121-51	4
7	NRV BALL	50-1041-55	4
8	BALL SEAT	50-1062-20	4
9	BALL CAGE	50-1092-20	4
10	TEE CLAMP	50-1211-61	8
11	CHAMBER CLAMP	50-1231-61	4
12	SUCTION DISCHARGE CLAMP	50-1221-61	8
13	HOLDING PLATE	50-1112-01	2
14	LOCK NUT	50-1133-20	2
15	DIAPHRAGM	50-2042-58	2
16	BACK UP DIAPHRAGM	N/A	-
17	CENTER BLOCK	50-1306-23	1
18	CENTER BLOCK O RING	40-3155-56	4
19	CENTER BLOCK PIPE	40-1316-03	4
20	MAIN SHAFT	50-1341-03	1
21	AIR COVER	50-1401-23	2
22	AIR COVER GASKET	50-3311-60	2
23	AIR COVER BUFFER	40-1426-51	2
24	PILOT SHAFT	40-1455-03	1
25	PILOT DRILL BUSH	40-1493-07	5
26	PILOT SHAFT O RING	40-3176-56	6
27	PILOT PLANE BUSH	40-1491-07	2



AIR OPERATED DOUBLE DIAPHRAGM PUMPS



ISO 9001: 2008
ISO 14001: 2004

pricepumps.co.in

SECTION 2 – SPARE PART LIST (CONTINUED...)

2" POLYPROPYLENE PUMP

AOD 50/PPGG/HYT/TF/P/N

SR No.	DISCRIPTION	PART No	QTY
28	PISTON BLOCK	50-1506-23	1
29	PISTON BLOCK BUSH	50-1541-07	1
30	PISTON BLOCK CAP/ PISTON BLOCK BUSH O RING	80-3271-51	8
31	PISTON	50-1525-01	1
32	PISTON O RING	50-3205-51	3
33	PISTON RING	50-3261-64	3
34	PISTON BLOCK CAP	50-1575-63	2
35	PISTON BLOCK CAP CIRCLIP	50-1581-61	2
36	PISTON BLOCK COVER	50-1564-23	1
37	PISTON BLOCK GASKET	50-3324-60	1
38	PISTON BLOCK COVER GASKET	50-3334-60	1
39	EXHAUST	40-1366-23	1
40	AIR NIPPLE	50-1371-07	1
41	3/8" X 80 MM CARRIAGE BOLTS SS (CHAMBER BOLTS)	04-6023-03	4
42	3/8" X 60 MM CARRIAGE BOLTS SS (SUC/DIS)	04-6022-03	16
43	5/16" X 1" CSK BOLTS SS (AIR COVER)	04-6027-03	10
44	3/8 X 20.7 X 1.5 MM SS WASHER (CHAMBER)	04-6210-03	20
45	¼" X 4" ALLEN BOLTS MS (PISTON BLOCK)	04-6005-61	4
46	¼ X 12.5 X 1.2 MM SS WASHER (PISTON BLOCK ALLEN BOLT)	04-6202-03	6
47	3/8 MS HEX NUT	04-6304-61	20
48	5/8 X 35 X 3 MM MS WASHER (HOLDING PLATE)	04-6217-61	2



AIR OPERATED DOUBLE DIAPHRAGM PUMPS



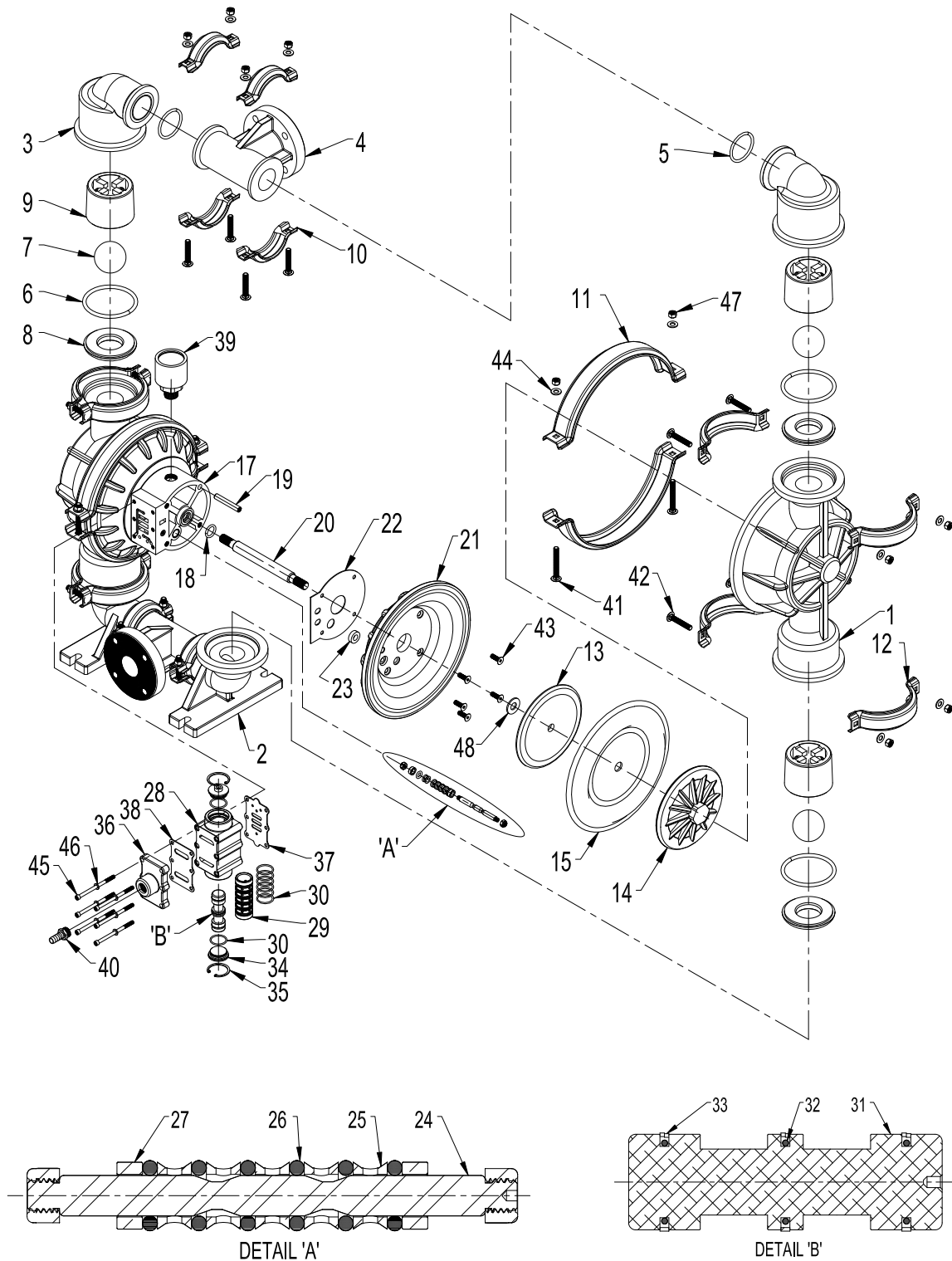
ISO 9001: 2008
ISO 14001: 2004

pricepumps.co.in

SECTION 3 – EXPLODED VIEW

2" POLYPROPYLENE PUMP

AOD 50/PPGG/HYT/TF/P/N





AIR OPERATED DOUBLE DIAPHRAGM PUMPS



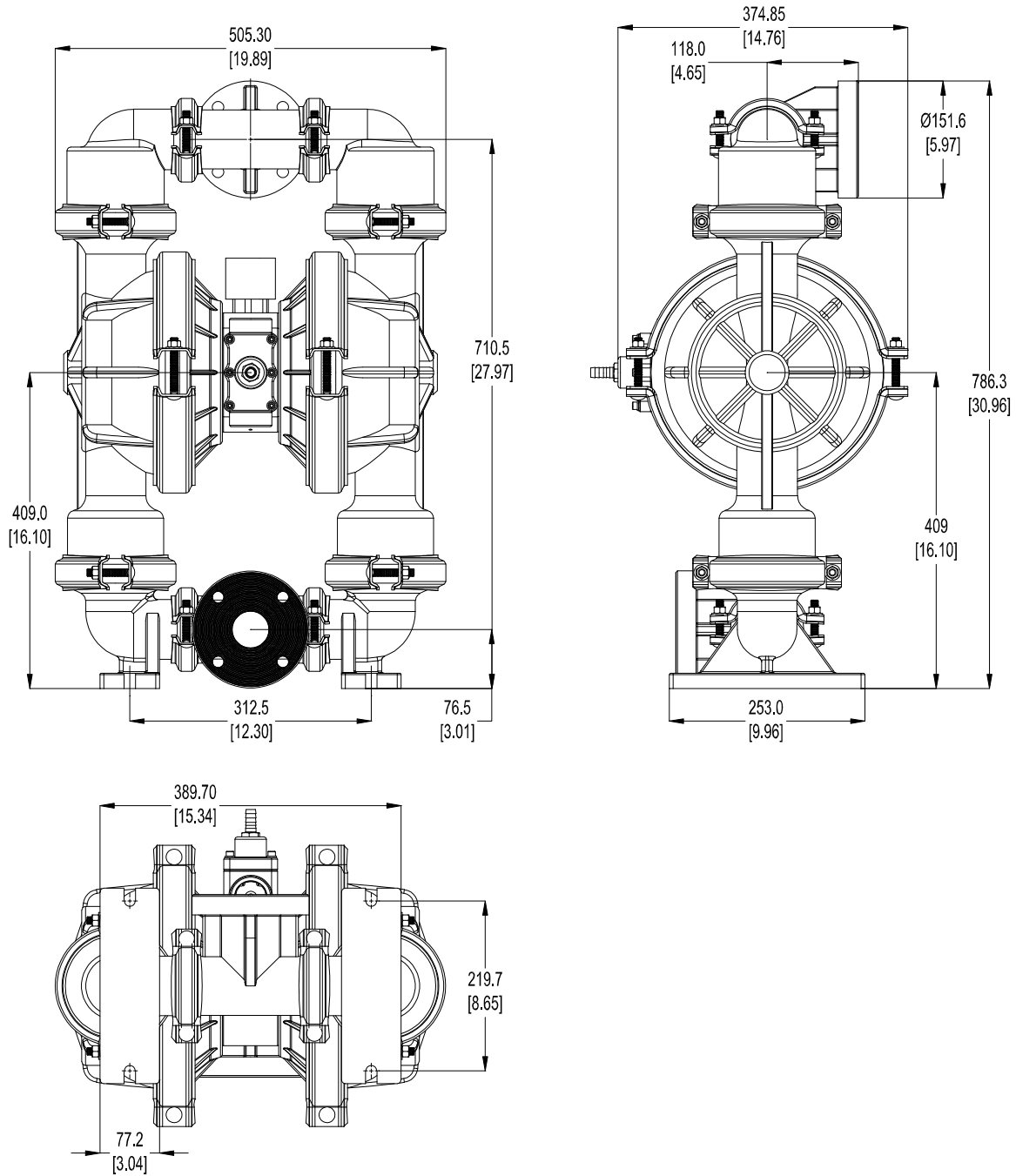
ISO 9001: 2008
ISO 14001: 2004

pricepumps.co.in

SECTION 4 – DIMENSIONAL DRAWING

2" POLYPROPYLENE PUMP

AOD 50/PPGG/HYT/TF/P/N





AIR OPERATED DOUBLE DIAPHRAGM PUMPS



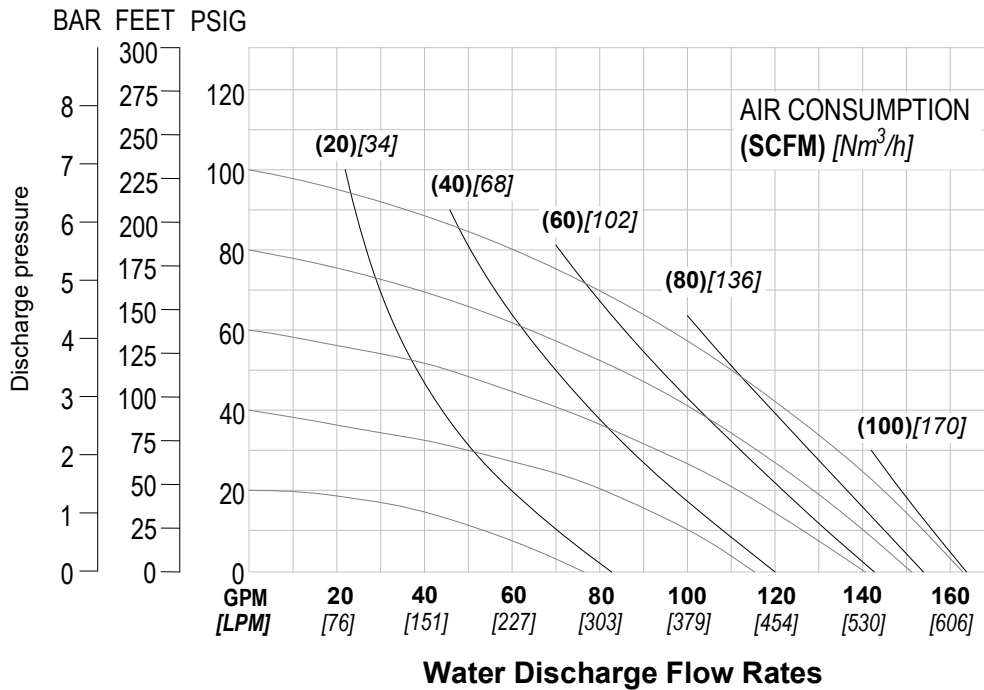
ISO 9001: 2008
ISO 14001: 2004

pricepumps.co.in

SECTION 5 – SPECIFICATION & PERFORMANCE

2" POLYPROPYLENE PUMP

AOD 50/PPGG/HYT/TF/P/N



SPECIFICATIONS:

MAX FLOW RATE:	620 Lpm (164 gpm)
MAX AIR PRESSURE:	7 Kgs
AIR INLET:	13 mm (1/2" BSP)
PORT INLET:	51 mm (2" BSP)
DISCHARGE:	51 mm (2" BSP)
SUCTION LIFT: DRY:	6.6 m (21.8')
WET:	8.3 m (27.2')
MAX PARTICLE SIZE:	(Dia) 6.4 mm (1/4")
AIR EXHAUST:	(3/4" BSP)

SHIPPING DIMENSIONS:

HEIGHT:	830 mm (32.68")
WIDTH:	450 mm (17.72")
LENGTH:	540 mm (21.26")
WEIGHT:	36.3 Kgs

Price Pumps meet ISO 9001-2015, ISO 14001 & CE quality standards.



**AIR OPERATED
DOUBLE
DIAPHRAGM
PUMPS**



ISO 9001: 2008
ISO 14001: 2004

pricepumps.co.in

NOTES: